



洛阳金鹭硬质合金工具有限公司

地 址:中国(河南)自由贸易试验区洛阳片区高新区辛店镇滨河北路68号

电 话:+86-379-61101683 传 真:+86-379-61101766

邮 箱:geotools@cxtc.com 网 址:www.xtcgtl.com

邮 编:471000

LUOYANG GOLDEN EGRET GEOTOOLS CO.,LTD.

ADD:No.68,North Road,National High&New TECH Industry Zone,Luoyang,Henan,China

TEL:+86-379-61101683 Fax:+86-379-61101766

Email:geotools@cxtc.com Http:en.xtcgtl.com

PC:471000



股票代码 厦门钨业 600549
STOCK CODE OF XTC 600549
2021 Version



潜孔式钎具产品册 DTH Tools Product Catalogue

 洛阳金鹭硬质合金工具有限公司
Luoyang Golden Egret Geotools Co.,Ltd.



目录

CONTENTS

- 厦鹭简介.....03
XTC Profile
- 企业简介.....04
Company Profile
- 产品产业链.....05
Industrial Chain
- 潜孔钎具.....07
DTH Tools
- 潜孔钻基础介绍.....08
About DTH
- 潜孔冲击器.....09
XTC DTH Hammers
- 潜孔钻头编码与特征.....31
Code Rule For DTH Bits
- 潜孔钻头.....33
DTH Bits
- 应用案例.....44
Application
- 营销网络.....45
Marketing Network



厦门钨业

厦门钨业是在上海证券交易所上市的集团型股份公司，中国上市公司500强、国家重点高新技术企业、国家火炬计划钨材料产业基地、国家首批发展循环经济示范企业。

厦门钨业主要从事钨精矿、钨钼中间制品、粉末产品、丝材板材、硬质合金、切削工具等各种钨系列产品；稀土氧化物、稀土金属、稀土发光材料、磁性材料和稀土贮氢、系列锂电池材料等各种稀土材料和能源新材料的生产、销售与研发。公司拥有从钨钼矿山→冶炼→深加工→钨钼二次资源回收的完整钨产业链，以及稀土矿山开发、冶炼加工、稀土新材料、科研应用等完整的稀土产业体系。依托厦钨设有“国家钨材料工程技术研究中心”和“能源新材料研究中心”。

厦钨以“让员工实现自我价值，使用户得到满意服务，为股东取得丰厚回报，与社会共谋和谐发展”为宗旨，将继续发展资金、技术、设备和人才等优势，持续创新，占领技术制高点，为打造最具竞争实力的国际性一流公司而不懈奋斗。

Xiamen Tungsten Co., Ltd.(XTC) is a group company that listed on Shanghai Stock Exchange, and it is one of top 500 listed companies of China, key Hi-Tech enterprise of China, Tungsten Material Industrial Base of National Torch Program, and the first batch of national model enterprise in developing circular economy.

XTC specializes in producing, selling and doing R & D in various of tungsten series including tungsten concentrate, semi product of tungsten molybdenum, powder product, wire plate, cemented carbide and cutting tools etc.; various of rare earth material and new energy material including rare earth oxide, rare earth metal, rare earth luminescent materials, magnetic materials and lithium battery materials. XTC has a complete tungsten industrial chain from own tungsten molybdenum mine, melting, deep processing end up to secondary resources recovery of tungsten molybdenum, and it also equipped with a complete rare earth industrial system which including development of rare earth mining, smelting processing, new rare earth material and scientific application. Depend on “China National R&D Centre for Tungsten Technology” and “New Energy& New Material Research Centre”, XTC is being developed with the purpose to “achieving self-value by employees, satisfying customers by service,cheering up stockholders by profitable, building up harmony society by enterprise development”,managing to be the most competitive international enterprise with sustainable innovation, sufficient capital, advanced equipment, and talented employees.

 35 家控股子公司
Holding Subsidiaries

 21 个事业部
Business Divisions

 32 亿美元总资产
Total Assets Hundred Million USD

 19.6 亿美元收入
Revenue Hundred Million USD

 763+ 个专利
Patents

 12000+ 名员工
Employees

洛阳金鹭

洛阳金鹭硬质合金工具有限公司，成立于2012年，是国有上市公司厦门钨业股份有限公司100%投资的“金鹭”系硬质合金骨干企业。公司注册资金10.5亿元人民币，一期投资13亿元人民币。主要从事钨粉末产品、硬面材料产品、硬质合金顶锤、硬质合金锯环、复合片基体、凿岩工程工具等钨系列产品的生产与销售。

自公司成立以来，公司坚持走专业化、精细化发展道路，生产的“金鹭”系列产品以安全可靠的品质、完善的售后服务体系迅速赢得市场；客户遍布全球二十多个工业发达国家和地区。

公司以“让员工实现价值，让用户满意，实现共赢发展”为使命，以技术创新和管理创新为引领，专注解决耐磨、破碎、压制等工业难题，努力打造世界一流的凿岩工程工具、硬质合金、硬面材料制造商和服务商。


Founded in 2012 with a registered capital of 1.05 billion RMB, Luoyang Golden Egret Geotools Company, as one of the cemented carbide backbones of “Golden Egret” and wholly-owned by its parent company XTC, is dedicated to the production and marketing of the high quality tungsten products including tungsten powders, hard-facing materials, carbide anvils, carbide roll rings, carbide substrates for PDC bit, mining and earth work drilling tools. 1.3 billion RMB was invested into the first phase of its construction.

Since the establishment of XTC Luoyang, the company has adhered to the path of professional and refined development. The “Golden Egret” series of products have quickly won the market with its safe and reliable quality and complete after-sales service system, obtaining customers all over the world in more than 20 industrial developed countries and areas.

We take “to realize staff’s self-worth, to satisfy the users, to achieve win-win development” as our mission. Being guided by the innovations of technology and management, we focus on solving industrial problems such as wear resistance, crushing and pressing, striving to build a world-class manufacturer and service provider in the fields of mining and earth work drilling tools, carbide alloys and hard-facing materials.

 33 公顷占地面积
Hectare Land Occupation

 1.5 亿美元总资产
Total Assets Hundred Million USD

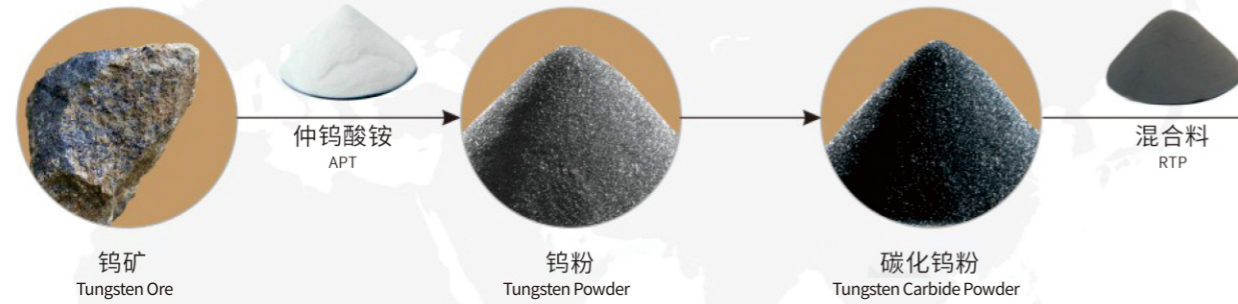
 700+ 名员工
Employees



产业链图
Industrial Chain

厦钨集团拥有从矿石开采到硬质合金深加工产品的一体化钨产业链：

- ◎ 从钨源头上控制原材料，保证原料供应及成品品质的稳定；
- ◎ 有效整合资源，降低生产成本、维持价格稳定、增强下游行业的竞争力；
- ◎ 厦钨掌控全球约30%高品位钨资源，年产超3万吨钨冶炼产品，为世界最大的钨品生产和供应基地。



XTC has an integrated industrial chain from ore to deep processing on cemented carbide:

- ◎ We can ensure adequate raw materials and stable product quality from controlling the very beginning raw materials.
- ◎ Our price can be kept stable and enhance competitiveness for the downstream industry by effectively integrating the cost.
- ◎ XTC is the biggest tungsten production and supply base. It controls almost 30% high grade of tungsten resource in the world and produces more than 30,000 tons tungsten products annually.



Powder Process Workshop



RTP Workshop



Hard-Facing Material Workshop



Alloy Products Workshop



Rock Drilling Tools Workshop

潜孔钎具 DTH Tools

洛阳金鹭凿岩钎具是“金鹭”硬质合金的延伸产品，是“金鹭”牌钨产品链的最后一环。洛阳金鹭在三十多年钨冶炼及二十多年硬质合金技术积累基础上，用抗冲击、耐磨损的矿用合金齿，结合优质、精锻钢体，由高效自动化生产线加工与装配，打造了具有高起点、超稳定品质特征的“金鹭”钎具。

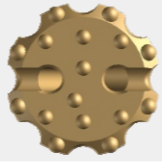
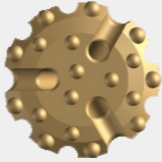
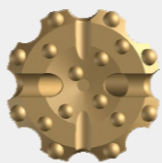

“金鹭”潜孔钻头专注、专业、高效，致力于为矿山钻爆、露天开采、地热水井等工程提供更优的解决方案。

XTC Rock Drill Tools are the extension of the cemented carbide products of XTC brand and the last part of the tungsten products chain. Based on the accumulated technology during more than 30 years on tungsten metallurgy and 20 years on cemented carbide products manufacturing, XTC produces high quality and stability Rock Drill Tools with the impact resistance and wear resistance carbide buttons and well forged steel body in our high efficiency automatic production line.

XTC DTH drill bits are dedicated, professional and efficient, and are committed to providing better solutions for mine drilling and blasting, open pit mining, geothermal water wells and other projects.



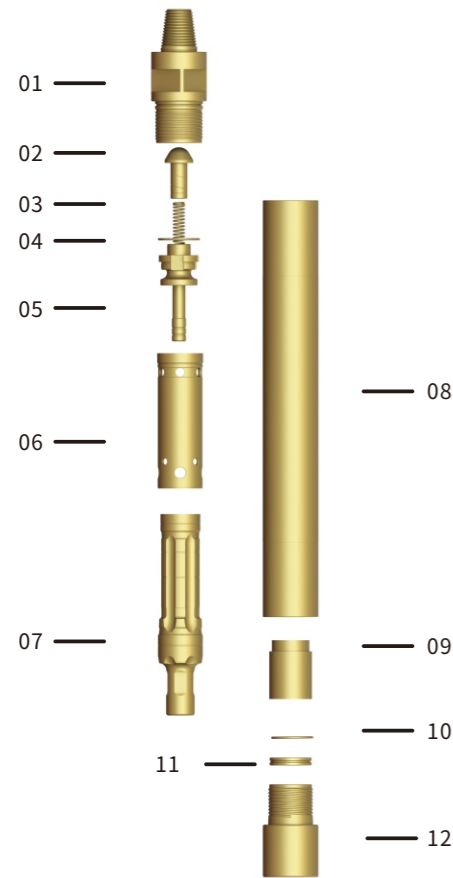
潜孔钻头 DTH Bits

钻头头部结构 Bit Face		适应岩层 Application
头部形状 Face Shape		
	平面型 Flat Face	极坚硬及磨蚀性强的岩层，进尺速度较快， 裤体磨蚀较少 Extremely hard and abrasive rock formation, with faster penetration rate and less body abrasion
	凸面型 Convex Face	软岩-中硬岩岩层，进尺速度快，裤体磨损轻， 炮孔偏斜不好控制 Soft rock-medium hard rock formation, with fast penetration rate, light body wear, and poor control of blast hole deflection
	凹面型 Concave Face	所有岩层，特别是中硬及岩性均匀的岩层， 炮孔偏斜度小 All rock formations, especially with medium hardness and uniform formation, have small blast hole deviation
	中心下陷型 Drop Center	软岩-中硬岩岩层以及有裂隙岩层，进尺速度快， 炮孔偏斜率低 Soft rock-medium hard rock formations and fractured formations, with fast penetration rate and low blast hole deflection rate

合金齿形状 Button shape			
	球齿 Spherical button	弹齿 Ballistic button	锥齿 Ogive button
			
抗磨蚀性 Abrasion resistance	★★★	★★	★
进尺速度 Penetration rate	★	★★	★★★

无尾管高气压潜孔冲击器 High Air-pressure DTH Hammer without Foot valve

金鹭GM40系列潜孔冲击器
XTC GM40 series DTH Hammer

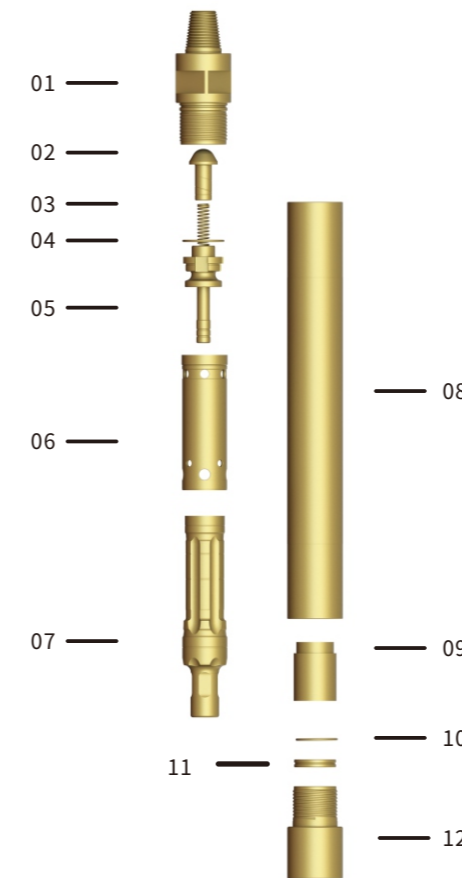


部件 Component	单重 (kg)	件号 Part No.
01-后接头 Top Sub	6.50	GM40-01
02-逆止阀 Check Valve	0.35	GM40-02
03-弹簧 Spring	0.05	GM40-03
04-O形圈 O-ring	0.01	GM40-04
05-配气座 Air Distribution	1.50	GM40-05
06-内缸 Inner Cylinder	2.10	GM40-06
07-活塞 Piston	8.50	GM40-07
08-外缸 Outer Cylinder	14.80	GM40-08
09-导向套 Guide Sleeve	1.80	GM40-09
10-O形圈 O-ring	0.005	GM40-10
11-卡环 Snap Ring	0.30	GM40-11
12-卡钎套 Chuck Sleeve	3.80	GM40-12
钻头尾柄 Drill shank		
GM40		十二花键 12 Splines

技术参数 (Technical Parameters)					
总长 (不含钻头) Total length (without drill bit)	总重 (不含钻头) Total weight (without drill bit)	冲击器外径 Outer diameter	可配钻头钎柄 Bit shank	钻孔范围 Hole range	后接头螺纹 Connection thread
1005	40Kg	φ99mm	GM40	φ110-φ135	API 2 3/8" Reg
可工作风压 Working pressure	在1.7Mpa 时冲击频率 Impact rate at 1.7Mpa	推荐转速 Recommended rotation speed		耗风量 Air consumption	
1.0-2.5Mpa	30HZ	25-45r/min		1.0Mpa	1.8Mpa
				5m ³ /min	9m ³ /min
					14m ³ /min

无尾管高气压潜孔冲击器 High Air-pressure DTH Hammer without Foot valve

金鹭GM50系列潜孔冲击器
XTC GM50 series DTH Hammer

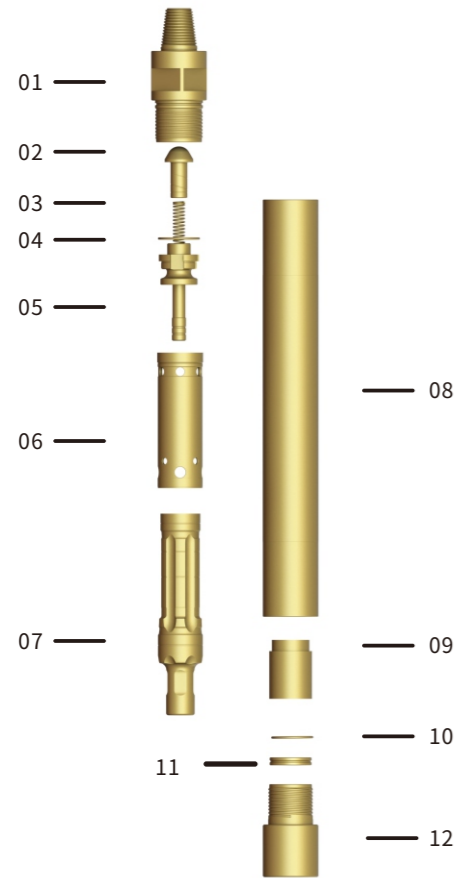


部件 Component	单重 (kg)	件号 Part No.
01-后接头 Top Sub	13.70	GM50-01
02-逆止阀 Check Valve	0.70	GM50-02
03-弹簧 Spring	0.10	GM50-03
04-O形圈 O-ring	0.015	GM50-04
05-配气座 Air Distribution	2.00	GM50-05
06-内缸 Inner Cylinder	2.80	GM50-06
07-活塞 Piston	15.00	GM50-07
08-外缸 Outer Cylinder	24.00	GM50-08
09-导向套 Guide Sleeve	2.60	GM50-09
10-O形圈 O-ring	0.01	GM50-10
11-卡环 Snap Ring	0.70	GM50-11
12-卡钎套 Chuck Sleeve	6.50	GM50-12
钻头尾柄 Drill shank		
GM50		十二花键 12 Splines

技术参数 (Technical Parameters)					
总长 (不含钻头) Total length (without drill bit)	总重 (不含钻头) Total weight (without drill bit)	冲击器外径 Outer diameter	可配钻头钎柄 Bit shank	钻孔范围 Hole range	后接头螺纹 Connection thread
1110mm	68.5Kg	φ125mm	GM50	φ135-φ155	API 2 3/8" Reg API 3 1/2" Reg
可工作风压 Working pressure	在1.7Mpa 时冲击频率 Impact rate at 1.7Mpa	推荐转速 Recommended rotation speed		耗风量 Air consumption	
1.0-2.5Mpa	28HZ	20-35r/min		1.0Mpa	1.8Mpa
				7m ³ /min	14m ³ /min
					19m ³ /min

无尾管高气压潜孔冲击器 High Air-pressure DTH Hammer without Foot valve

金鹭GM60系列潜孔冲击器
XTC GM60 series DTH Hammer

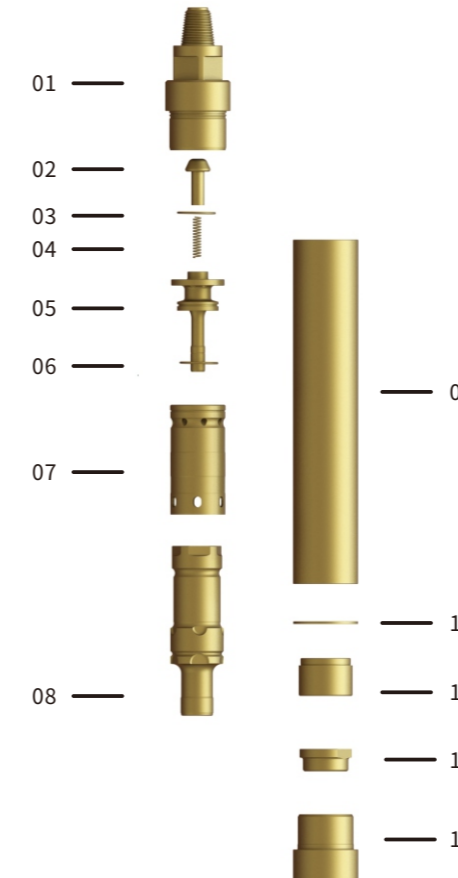


部件 Component	单重 (kg)	件号 Part No.
01-后接头 Top Sub	20.00	GM60-01
02-逆止阀 Check Valve	0.70	GM60-02
03-弹簧 Spring	0.10	GM60-03
04-O形圈 O-ring	0.015	GM60-04
05-配气座 Air Distribution	3.50	GM60-05
06-内缸 Inner Cylinder	4.20	GM60-06
07-活塞 Piston	23.00	GM60-07
08-外缸 Outer Cylinder	26.00	GM60-08
09-导向套 Guide Sleeve	4.80	GM60-09
10-O形圈 O-ring	0.01	GM60-10
11-卡环 Snap Ring	0.80	GM60-11
12-卡钎套 Chuck Sleeve	4.20	GM60-12
钻头尾柄 Drill shank		
GM60		

技术参数 (Technical Parameters)					
总长(不含钻头) Total length (without drill bit)	总重(不含钻头) Total weight (without drill bit)	冲击器外径 Outer diameter	可配钻头钎柄 Bit shank	钻孔范围 Hole range	后接头螺纹 Connection thread
1161mm	90Kg	φ146mm	GM60	φ155-φ203	API 3 1/2" Reg
可工作压力 Working pressure	在1.7Mpa 时冲击频率 Impact rate at 1.7Mpa	推荐转速 Recommended rotation speed		耗风量 Air consumption	
1.0-2.5Mpa	25HZ	20-30r/min		1.0Mpa	1.8Mpa
				9m ³ /min	18m ³ /min
					2.4Mpa
					26m ³ /min

无尾管高气压潜孔冲击器 High Air-pressure DTH Hammer without Foot valve

金鹭GK40B系列潜孔冲击器
XTC GK40B series DTH Hammer

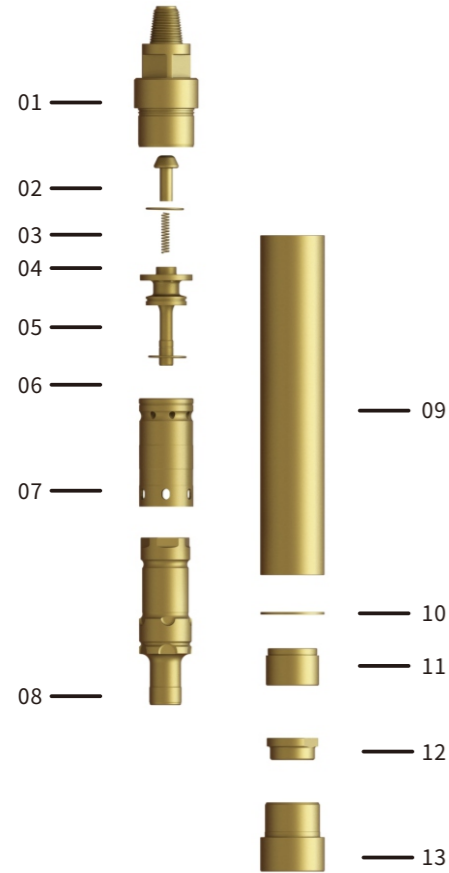


部件 Component	单重 (kg)	件号 Part No.
01-上接头 Top Sub	6.67	GK40B-01
02-逆止阀 Check Valve	0.02	GK40B-02
03-O形圈 O-ring	0.01	GK40B-03
04-弹簧 Spring	0.02	GK40B-04
05-配气座 Air Distribution	1.70	GM40-05
06-O形圈 O-ring	0.01	GK40B-06
07-内缸 Inner Cylinder	1.54	GK40B-07
08-活塞 Piston	6.40	GK40B-08
09-外缸 Outer Cylinder	9.31	GK40B-09
10-垫圈 Washer	0.12	GK40B-10
11-导向套 Guide Sleeve	1.31	GK40B-11
12-卡环 Snap Ring	0.68	GK40B-12
13-卡钎套 Chuck Sleeve	3.45	GK40B-13
钻头尾柄 Drill shank		
GK40B		

技术参数 (Technical Parameters)					
总长(不含钻头) Total length (without drill bit)	总重(不含钻头) Total weight (without drill bit)	冲击器外径 Outer diameter	可配钻头钎柄 Bit shank	钻孔范围 Hole range	后接头螺纹 Connection thread
728mm	31Kg	φ99mm	GK40B	φ105-φ130	API 2 3/8" Reg
可工作压力 Working pressure	在1.7Mpa 时冲击频率 Impact rate at 1.7Mpa	推荐转速 Recommended rotation speed		耗风量 Air consumption	
1.0-2.5Mpa	35HZ	25-60r/min		1.0Mpa	1.7Mpa
				4.6m ³ /min	8.8m ³ /min

无尾管高气压潜孔冲击器 High Air-pressure DTH Hammer without Foot valve

金鹭GK50B系列潜孔冲击器
XTC GK50B series DTH Hammer

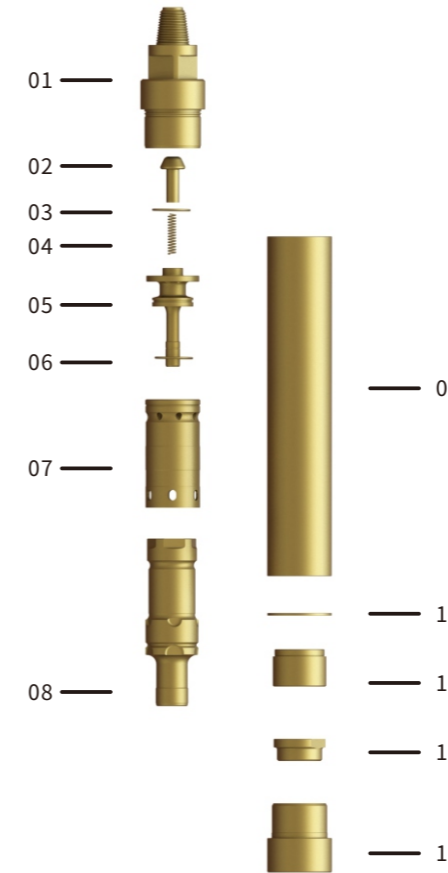


部件 Component	单重 (kg)	件号 Part No.
01-上接头 Top Sub	10.00	GK50B-01
02-逆止阀 Check Valve	0.16	GK50B-02
03-O形圈 O-ring	0.01	GK50B-03
04-弹簧 Spring	0.02	GK50B-04
05-配气座 Air Distribution	1.72	GK50B-05
06-O形圈 O-ring	0.01	GK50B-06
07-内缸 Inner Cylinder	2.70	GK50B-07
08-活塞 Piston	11.30	GK50B-08
09-外缸 Outer Cylinder	18.40	GK50B-09
10-垫圈 Washer	0.10	GK50B-10
11-导向套 Guide Sleeve	2.50	GK50B-11
12-卡环 Snap Ring	1.00	GK50B-12
13-卡钎套 Chuck Sleeve	6.00	GK50B-13
钻头尾柄 Drill shank		
GK50B	八花键 8 Splines	

技术参数 (Technical Parameters)					
总长(不含钻头) Total length (without drill bit)	总重(不含钻头) Total weight (without drill bit)	冲击器外径 Outer diameter	可配钻头钎柄 Bit shank	钻孔范围 Hole range	后接头螺纹 Connection thread
808mm	55Kg	φ126mm	GK50B	φ135-φ155	API 2 ³ / ₈ "Reg API 3 ¹ / ₂ "Reg
可工作风压 Working pressure	在1.7Mpa 时冲击频率 Impact rate at 1.7Mpa	推荐转速 Recommended rotation speed		耗风量 Air consumption	
1.0-2.5Mpa	33HZ	25-60r/min		1.0Mpa 6.0m ³ /min	1.7Mpa 12.5m ³ /min

无尾管高气压潜孔冲击器 High Air-pressure DTH Hammer without Foot valve

金鹭GK60B系列潜孔冲击器
XTC GK60B series DTH Hammer

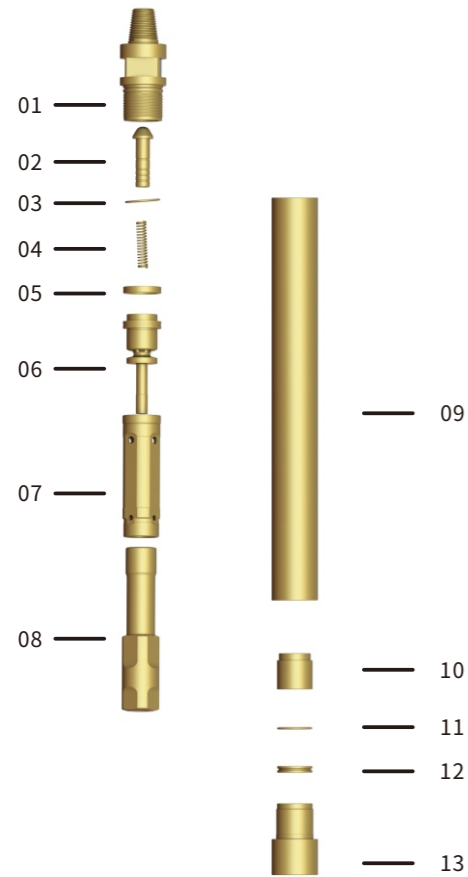


部件 Component	单重 (kg)	件号 Part No.
01-上接头 Top Sub	18.90	GK60B-01
02-逆止阀 Check Valve	0.80	GK60B-02
03-O形圈 O-ring	0.01	GK60B-03
04-弹簧 Spring	0.05	GK60B-04
05-配气座 Air Distribution	3.73	GK60B-05
06-O形圈 O-ring	0.01	GK60B-06
07-内缸 Inner Cylinder	4.37	GK60B-07
08-活塞 Piston	18.30	GK60B-08
09-外缸 Outer Cylinder	25.20	GK60B-09
10-垫圈 Washer	0.15	GK60B-10
11-导向套 Guide Sleeve	3.55	GK60B-11
12-卡环 Snap Ring	1.41	GK60B-12
13-卡钎套 Chuck Sleeve	7.75	GK60B-13
钻头尾柄 Drill shank		
GK60B	十花键 10 Splines	

技术参数 (Technical Parameters)					
总长(不含钻头) Total length (without drill bit)	总重(不含钻头) Total weight (without drill bit)	冲击器外径 Outer diameter	可配钻头钎柄 Bit shank	钻孔范围 Hole range	后接头螺纹 Connection thread
936mm	84Kg	φ144mm	GK60B	φ158-φ203	API 3 ¹ / ₂ "Reg
可工作风压 Working pressure	在1.7Mpa 时冲击频率 Impact rate at 1.7Mpa	推荐转速 Recommended rotation speed		耗风量 Air consumption	
1.0-2.8Mpa	30HZ	25-55r/min		1.0Mpa 7.0m ³ /min	1.7Mpa 16.0m ³ /min

带尾管高气压潜孔冲击器 High Air-pressure DTH Hammer with Foot valve

金鹭GQL50系列潜孔冲击器
XTC GQL50 series DTH Hammer



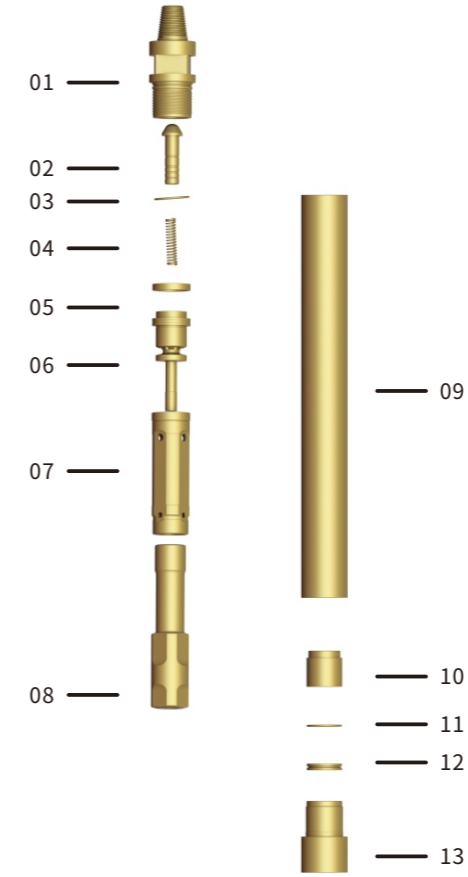
部件 Component	单重 (kg)	件号 Part No.
01-上接头 Top Sub	15.00	GQL50-01
02-逆止阀 Check Valve	1.00	GQL50-02
03-O形圈 O-ring	0.015	GQL50-03
04-弹簧 Spring	0.10	GQL50-04
05-垫圈 Washer	0.10	GQL50-05
06-配气座 Air Distribution	3.50	GQL50-06
07-内缸 Inner Cylinder	4.20	GQL50-07
08-活塞 Piston	19.00	GQL50-08
09-外缸 Outer Cylinder	24.60	GQL50-09
10-导向套 Guide Sleeve	0.90	GQL50-10
11-O形圈 O-ring	0.01	GQL50-11
12-卡环 Snap Ring	0.40	GQL50-12
13-卡钎套 Chuck Sleeve	4.60	GQL50-13
钻头尾柄 Drill shank		
GQL50	十二花键 12 Splines	

技术参数 (Technical Parameters)

总长(不含钻头) Total length (without drill bit)	总重(不含钻头) Total weight (without drill bit)	冲击器外径 Outer diameter	可配钻头钎柄 Bit shank	钻孔范围 Hole range	后接头螺纹 Connection thread
1156mm	73Kg	φ125mm	GQL50	φ138-φ155	API 3 1/2" Reg
可工作风压 Working pressure	在1.7Mpa 时冲击频率 Impact rate at 1.7Mpa	推荐转速 Recommended rotation speed		耗风量 Air consumption	
1.0-2.5Mpa	25HZ	20-40r/min		0.8Mpa	1.8Mpa 2.4Mpa 9m ³ /min 15m ³ /min 23m ³ /min

带尾管高气压潜孔冲击器 High Air-pressure DTH Hammer with Foot valve

金鹭GQL60系列潜孔冲击器
XTC GQL60 series DTH Hammer



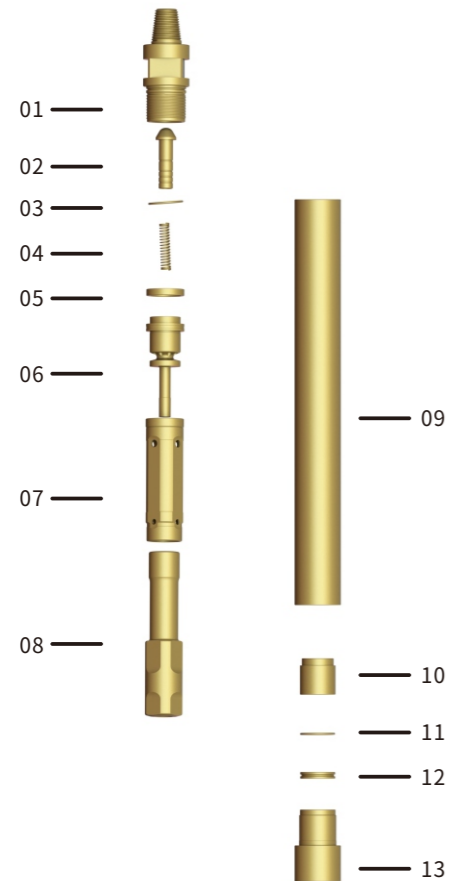
部件 Component	单重 (kg)	件号 Part No.
01-上接头 Top Sub	20.00	GQL60-01
02-逆止阀 Check Valve	1.00	GQL60-02
03-O形圈 O-ring	0.02	GQL60-03
04-弹簧 Spring	0.10	GQL60-04
05-垫圈 Washer	0.10	GQL60-05
06-配气座 Air Distribution	6.00	GQL60-06
07-内缸 Inner Cylinder	5.00	GQL60-07
08-活塞 Piston	23.50	GQL60-08
09-外缸 Outer Cylinder	31.00	GQL60-09
10-导向套 Guide Sleeve	1.00	GQL60-10
11-O形圈 O-ring	0.02	GQL60-11
12-卡环 Snap Ring	0.60	GQL60-12
13-卡钎套 Chuck Sleeve	5.40	GQL60-13
钻头尾柄 Drill shank		
GQL60	十二花键 12 Splines	

技术参数 (Technical Parameters)

总长(不含钻头) Total length (without drill bit)	总重(不含钻头) Total weight (without drill bit)	冲击器外径 Outer diameter	可配钻头钎柄 Bit shank	钻孔范围 Hole range	后接头螺纹 Connection thread
1212mm	95Kg	φ146mm	GQL60	φ155-φ190	API 3 1/2" Reg
可工作风压 Working pressure	在1.7Mpa 时冲击频率 Impact rate at 1.7Mpa	推荐转速 Recommended rotation speed		耗风量 Air consumption	
1.0-2.5Mpa	23HZ	20-35r/min		0.8Mpa	1.8Mpa 2.4Mpa 10m ³ /min 20m ³ /min 28.5m ³ /min

带尾管高压潜孔冲击器 High Air-pressure DTH Hammer with Foot Valve

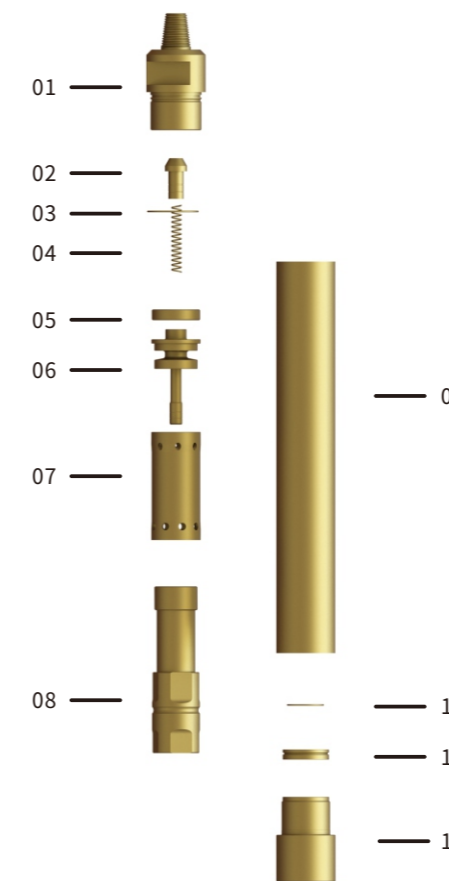
金鹭GQL80系列潜孔冲击器
XTC GQL80 series DTH Hammer



部件 Component	单重 (kg)	件号 Part No.
01-上接头 Top Sub	31.00	GQL80-01
02-逆止阀 Check Valve	1.50	GQL80-02
03-O形圈 O-ring	0.02	GQL80-03
04-弹簧 Spring	0.10	GQL80-04
05-垫圈 Washer	0.10	GQL80-05
06-配气座 Air Distribution	10.00	GQL80-06
07-内缸 Inner Cylinder	8.50	GQL80-07
08-活塞 Piston	27.00	GQL80-08
09-外缸 Outer Cylinder	33.50	GQL80-09
10-导向套 Guide Sleeve	1.20	GQL80-10
11-O形圈 O-ring	0.02	GQL80-11
12-卡环 Snap Ring	0.80	GQL80-12
13-卡钎套 Chuck Sleeve	5.80	GQL80-13
钻头尾柄 Drill shank		
GQL80	十六花键 16 Splines	

带尾管高压潜孔冲击器 High Air-pressure DTH Hammer with Foot Valve

金鹭GD30W系列潜孔冲击器
XTC GD30W series DTH Hammer



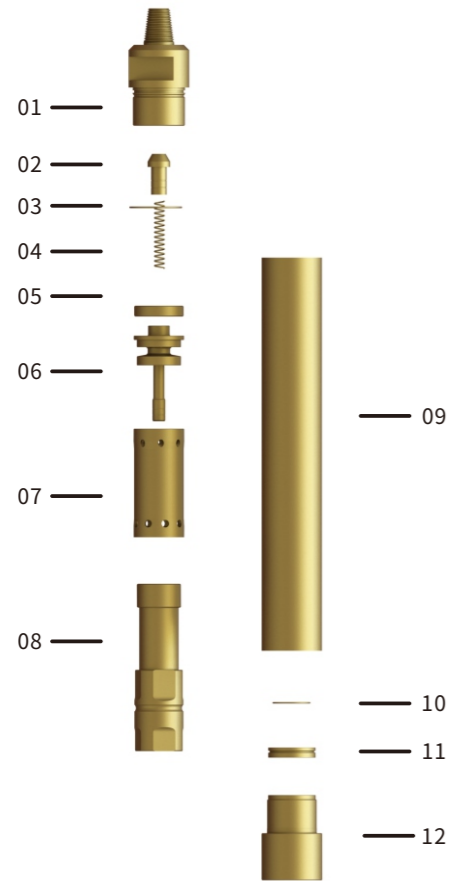
部件 Component	单重 (Kg)	件号 Part No.
01-上接头 Top Sub	4.20	GD30W-01
02-逆止阀 Check Valve	0.20	GD30W-02
03-O形圈 O-ring	0.01	GD30W-03
04-弹簧 Spring	0.02	GD30W-04
05-垫圈 Washer	0.02	GD30W-05
06-配气座 Air Distribution	1.40	GD30W-06
07-内缸 Inner Cylinder	1.50	GD30W-07
08-活塞 Piston	5.60	GD30W-08
09-外缸 Outer Cylinder	9.90	GD30W-09
10-O形圈 O-ring	0.01	GD30W-10
11-卡环 Snap Ring	0.15	GD30W-11
12-卡钎套 Chuck Sleeve	1.90	GD30W-12
钻头尾柄 Drill shank		
GD30W	八花键 8 Splines	

技术参数 (Technical Parameters)					
总长(不含钻头) Total length (without drill bit)	总重(不含钻头) Total weight (without drill bit)	冲击器外径 Outer diameter	可配钻头钎柄 Bit shank	钻孔范围 Hole range	后接头螺纹 Connection thread
1465mm	182Kg	φ180mm	GQL80	φ195-φ254	API 4 1/2" Reg
可工作风压 Working pressure	在1.7Mpa 时冲击频率 Impact rate at 1.7Mpa	推荐转速 Recommended rotation speed		耗风量 Air consumption	
1.0-2.5Mpa	20HZ	15-30r/min		0.8Mpa 10m ³ /min	1.8Mpa 20m ³ /min
				2.4Mpa 28.5m ³ /min	

技术参数 (Technical Parameters)					
总长(不含钻头) Total length (without drill bit)	总重(不含钻头) Total weight (without drill bit)	冲击器外径 Outer diameter	可配钻头钎柄 Bit shank	钻孔范围 Hole range	后接头螺纹 Connection thread
930mm	25Kg	φ82mm	GD30W	φ90-φ110	API 2 3/8" Reg
可工作风压 Working pressure	在1.7Mpa 时冲击频率 Impact rate at 1.7Mpa	推荐转速 Recommended rotation speed		耗风量 Air consumption	
0.9-1.5Mpa	28HZ	30-55r/min		0.9Mpa 4.0m ³ /min	1.0Mpa 4.4m ³ /min
				1.5Mpa 9m ³ /min	

带尾管高压潜孔冲击器 High Air-pressure DTH Hammer with Foot Valve

金鹭GD40W系列潜孔冲击器
XTC GD40W series DTH Hammer

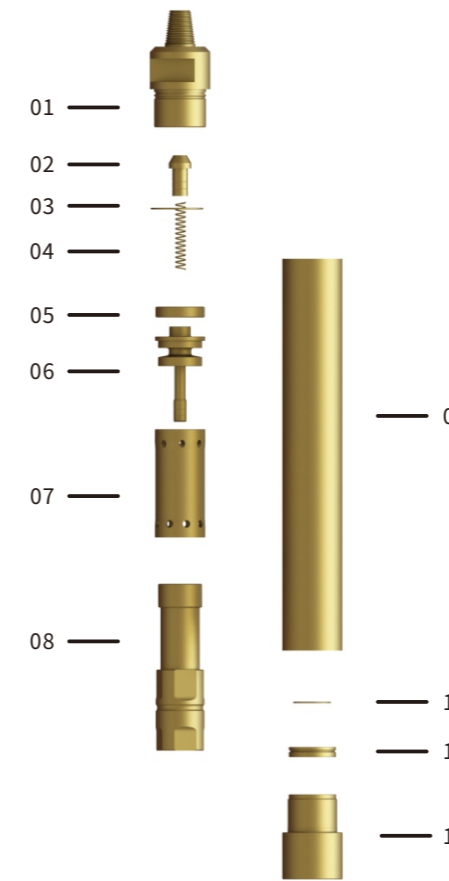


部件 Component	单重 (kg)	件号 Part No.
01-上接头 Top Sub	6.50	GD40W-01
02-逆止阀 Check Valve	0.42	GD40W-02
03-O形圈 O-ring	0.01	GD40W-03
04-弹簧 Spring	0.04	GD40W-04
05-垫圈 Washer	0.04	GD40W-05
06-配气座 Air Distribution	2.20	GD40W-06
07-内缸 Inner Cylinder	2.30	GD40W-07
08-活塞 Piston	9.00	GD40W-08
09-外缸 Outer Cylinder	15.00	GD40W-09
10-O形圈 O-ring	0.01	GD40W-10
11-卡环 Snap Ring	0.20	GD40W-11
12-卡钎套 Chuck Sleeve	3.50	GD40W-12
钻头尾柄 Drill shank		209 八花键 8 Splines
GD40W		

技术参数 (Technical Parameters)					
总长(不含钻头) Total length (without drill bit)	总重(不含钻头) Total weight (without drill bit)	冲击器外径 Outer diameter	可配钻头钎柄 Bit shank	钻孔范围 Hole range	后接头螺纹 Connection thread
1030mm	39Kg	φ99mm	GD40W	φ110-φ135	API 23/8"Reg
可工作风压 Working pressure	在1.7Mpa 时冲击频率 Impact rate at 1.7Mpa	推荐转速 Recommended rotation speed		耗风量 Air consumption	
1.0-2.5Mpa	27HZ	30-55r/min		1.0Mpa 6m ³ /min	1.7Mpa 10m ³ /min
				2.4Mpa 15m ³ /min	

带尾管高压潜孔冲击器 High Air-pressure DTH Hammer with Foot Valve

金鹭GD50W系列潜孔冲击器
XTC GD50W series DTH Hammer



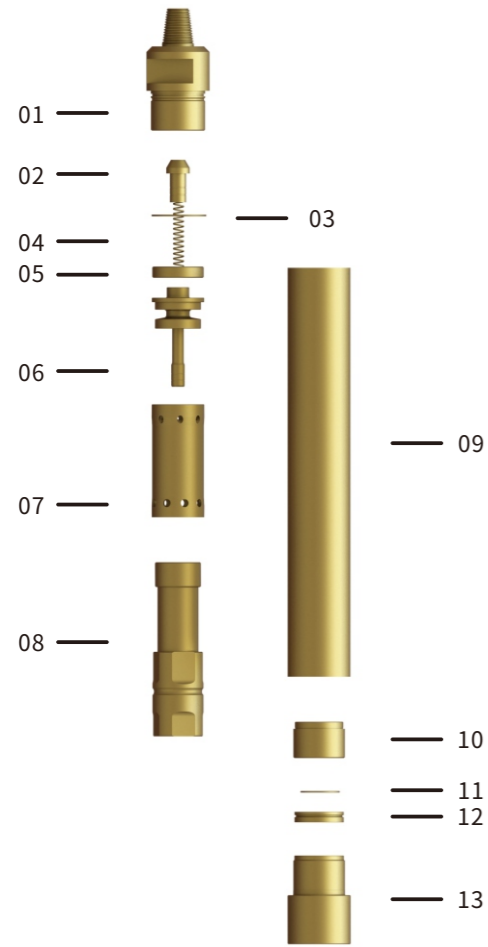
部件 Component	单重 (kg)	件号 Part No.
01-上接头 Top Sub	15.00	GD50W-01
02-逆止阀 Check Valve	1.00	GD50W-02
03-O形圈 O-ring	0.01	GD50W-03
04-弹簧 Spring	0.04	GD50W-04
05-垫圈 Washer	0.06	GD50W-05
06-配气座 Air Distribution	3.70	GD50W-06
07-内缸 Inner Cylinder	4.50	GD50W-07
08-活塞 Piston	15.50	GD50W-08
09-外缸 Outer Cylinder	30.00	GD50W-09
10-O形圈 O-ring	0.01	GD50W-10
11-卡环 Snap Ring	0.30	GD50W-11
12-卡钎套 Chuck Sleeve	6.40	GD50W-12
钻头尾柄 Drill shank		260 八花键 8 Splines
GD50W		

技术参数 (Technical Parameters)					
总长(不含钻头) Total length (without drill bit)	总重(不含钻头) Total weight (without drill bit)	冲击器外径 Outer diameter	可配钻头钎柄 Bit shank	钻孔范围 Hole range	后接头螺纹 Connection thread
1214mm	76.5Kg	φ125mm	GD50W	φ135-φ155	API 23/8"Reg API 31/2"Reg
可工作风压 Working pressure	在1.7Mpa 时冲击频率 Impact rate at 1.7Mpa	推荐转速 Recommended rotation speed		耗风量 Air consumption	
1.0-2.5Mpa	25HZ	25-50r/min		1.0Mpa 9m ³ /min	1.8Mpa 15m ³ /min
				2.4Mpa 23m ³ /min	

带尾管高气压潜孔冲击器

High Air-pressure DTH Hammer with Foot Valve

金鹭GD60W系列潜孔冲击器
XTC GD60W series DTH Hammer



部件 Component	单重 (kg)	件号 Part No.
01-上接头 Top Sub	20.00	GD60W-01
02-逆止阀 Check Valve	1.00	GD60W-02
03-O形圈 O-ring	0.02	GD60W-03
04-弹簧 Spring	0.04	GD60W-04
05-垫圈 Washer	0.08	GD60W-05
06-配气座 Air Distribution	5.00	GD60W-06
07-内缸 Inner Cylinder	5.00	GD60W-07
08-活塞 Piston	23.60	GD60W-08
09-外缸 Outer Cylinder	36.80	GD60W-09
10-导向套 Guide Sleeve	2.40	GD60W-10
11-O形圈 O-ring	0.02	GD60W-11
12-卡环 Snap Ring	0.60	GD60W-12
13-卡钎套 Chuck Sleeve	6.00	GD60W-13
钻头尾柄 Drill shank	 八花键 8 Splines	
GD60W		

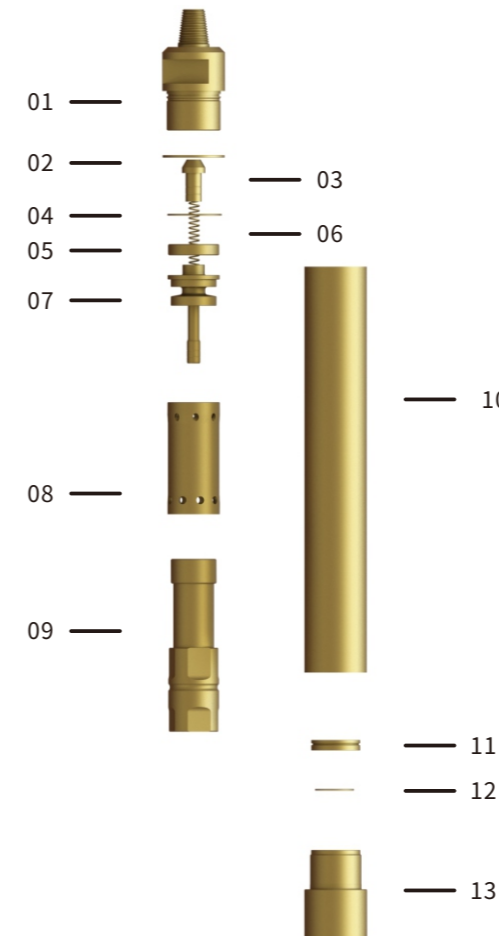
技术参数 (Technical Parameters)

总长(不含钻头) Total length (without drill bit)	总重(不含钻头) Total weight (without drill bit)	冲击器外径 Outer diameter	可配钻头钎柄 Bit shank	钻孔范围 Hole range	后接头螺纹 Connection thread
1248mm	100Kg	φ142mm	GD60W	φ155-φ203	API 3 1/2" Reg
可工作风压 Working pressure	在1.7Mpa 时冲击频率 Impact rate at 1.7Mpa	推荐转速 Recommended rotation speed		耗风量 Air consumption	
1.0-2.5Mpa	23HZ	20-40r/min		1.0Mpa	1.7Mpa
				10m ³ /min	20m ³ /min
					28.5m ³ /min

带尾管高气压潜孔冲击器

High Air-pressure DTH Hammer with Foot valve

金鹭GD80W系列潜孔冲击器
XTC GD80W series DTH Hammer



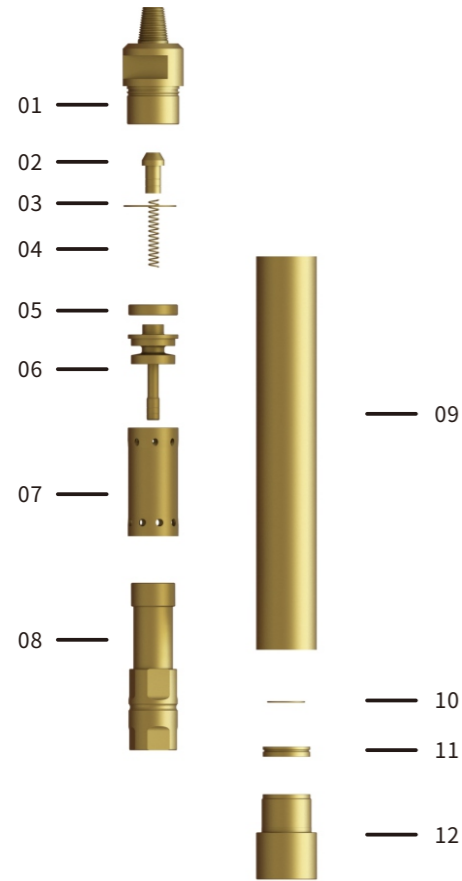
部件 Component	单重 (kg)	件号 Part No.
01-上接头 Top Sub	41.00	GD80W-01
02-接头垫片 Joint Gasket	0.20	GD80W-02
03-逆止阀 Check Valve	1.50	GD80W-03
04-O形圈 O-ring	0.20	GD80W-04
05-垫圈 Washer	0.42	GD80W-05
06-弹簧 Spring	0.10	GD80W-06
07-配气座 Air Distribution	0.13	GD80W-07
08-内缸 Inner Cylinder	8.60	GD80W-08
09-活塞 Piston	41.00	GD80W-09
10-外缸 Outer Cylinder	62.00	GD80W-10
11-卡环 Snap Ring	1.20	GD80W-11
12-O形圈 O-ring	0.02	GD80W-12
13-卡钎套 Chuck Sleeve	17.50	GD80W-13
钻头尾柄 Drill shank	 十花键 10 Splines	
GD80W		

技术参数 (Technical Parameters)

总长(不含钻头) Total length (without drill bit)	总重(不含钻头) Total weight (without drill bit)	冲击器外径 Outer diameter	可配钻头钎柄 Bit shank	钻孔范围 Hole range	后接头螺纹 Connection thread
1492mm	188Kg	φ180mm	GD80W	φ195-φ254	API 4 1/2" Reg
可工作风压 Working pressure	在1.7Mpa 时冲击频率 Impact rate at 1.7Mpa	推荐转速 Recommended rotation speed		耗风量 Air consumption	
1.0-2.5Mpa	20HZ	15-35r/min		1.0Mpa	1.7Mpa
				15m ³ /min	26m ³ /min
					34m ³ /min

无尾管高压潜孔冲击器 High Air-pressure DTH Hammer without Foot valve

金鹭GD30系列潜孔冲击器
XTC GD30 series DTH Hammer

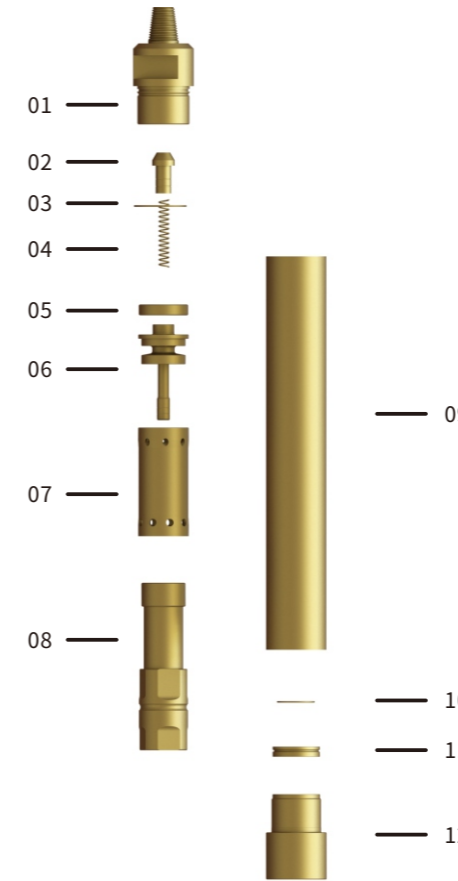


部件 Component	单重 (kg)	件号 Part No.
01-上接头 Top Sub	4.20	GD30-01
02-逆止阀 Check Valve	0.20	GD30-02
03-O形圈 O-ring	0.01	GD30-03
04-弹簧 Spring	0.02	GD30-04
05-垫圈 Washer	0.02	GD30-05
06-配气座 Air Distribution	1.40	GD30-06
07-内缸 Inner Cylinder	1.50	GD30-07
08-活塞 Piston	5.60	GD30-08
09-外缸 Outer Cylinder	9.90	GD30-09
10-O形圈 O-ring	0.01	GD30-10
11-卡环 Snap Ring	0.15	GD30-11
12-卡钎套 Chuck Sleeve	1.90	GD30-12
钻头尾柄 Drill shank		
GD30	八花键 8 Splines	

技术参数 (Technical Parameters)					
总长(不含钻头) Total length (without drill bit)	总重(不含钻头) Total weight (without drill bit)	冲击器外径 Outer diameter	可配钻头钎柄 Bit shank	钻孔范围 Hole range	后接头螺纹 Connection thread
930mm	25Kg	φ82mm	GD30	φ90-φ110	API 2 3/8"Reg
可工作压力 Working pressure	在1.5Mpa 时冲击频率 Impact rate at 1.5Mpa	推荐转速 Recommended rotation speed		耗风量 Air consumption	
0.9-1.5Mpa	28HZ	30-55r/min		0.9Mpa	1.0Mpa 1.5Mpa
				3.8m ³ /min	4.2m ³ /min 7m ³ /min

无尾管高压潜孔冲击器 High Air-pressure DTH Hammer without Foot valve

金鹭GD40系列潜孔冲击器
XTC GD40 series DTH Hammer



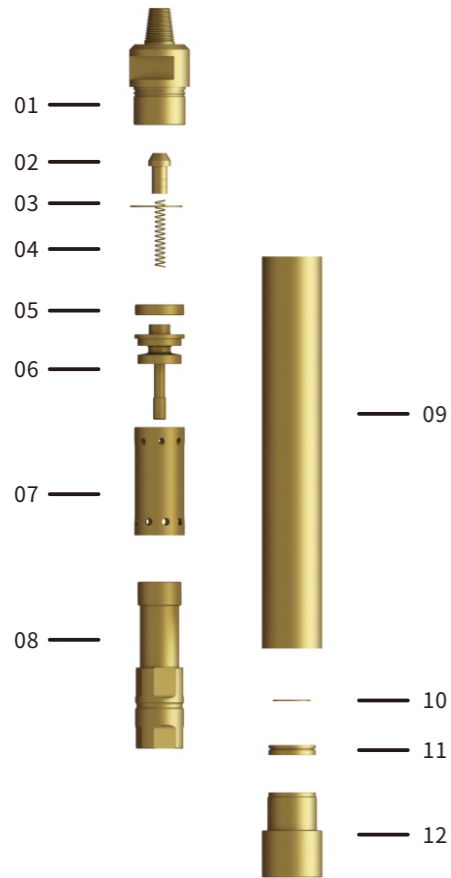
部件 Component	单重 (kg)	件号 Part No.
01-上接头 Top Sub	6.50	GD40-01
02-逆止阀 Check Valve	0.42	GD40-02
03-O形圈 O-ring	0.01	GD40-03
04-弹簧 Spring	0.04	GD40-04
05-垫圈 Washer	0.04	GD40-05
06-配气座 Valve Lever	2.20	GD40-06
07-内缸 Inner Cylinder	2.30	GD40-07
08-活塞 Piston	9.00	GD40-08
09-外缸 Outer Cylinder	15.00	GD40-09
10-O形圈 O-ring	0.01	GD40-10
11-卡环 Snap Ring	0.20	GD40-11
12-卡钎套 Chuck Sleeve	3.50	GD40-12
钻头尾柄 Drill shank		
GD40	八花键 8 Splines	

技术参数 (Technical Parameters)					
总长(不含钻头) Total length (without drill bit)	总重(不含钻头) Total weight (without drill bit)	冲击器外径 Outer diameter	可配钻头钎柄 Bit shank	钻孔范围 Hole range	后接头螺纹 Connection thread
1030mm	39Kg	φ99mm	GD40	φ110-φ135	API 2 3/8"Reg
可工作压力 Working pressure	在1.7Mpa 时冲击频率 Impact rate at 1.7Mpa	推荐转速 Recommended rotation speed		耗风量 Air consumption	
1.0-2.5Mpa	27HZ	35-65r/min		1.0Mpa	1.7Mpa 2.4Mpa
				6.5m ³ /min	9.0m ³ /min 14m ³ /min

无尾管高压潜孔冲击器

High Air-pressure DTH Hammer without Foot valve

金鹭GD50系列潜孔冲击器
XTC GD50 series DTH Hammer



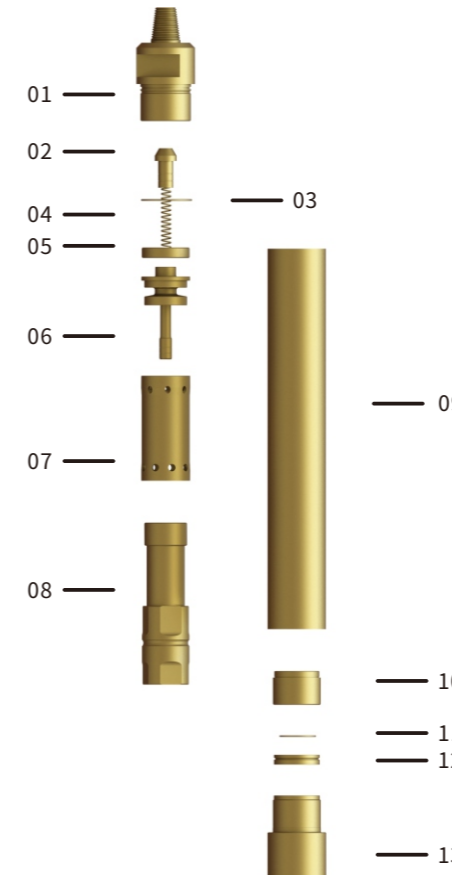
部件 Component	单重 (kg)	件号 Part No.
01-上接头 Top Sub	15.00	GD50-01
02-逆止阀 Check Valve	1.00	GD50-02
03-O形圈 O-ring	0.01	GD50-03
04-弹簧 Spring	0.04	GD50-04
05-垫圈 Washer	0.06	GD50-05
06-配气座 Valve Lever	3.70	GD50-06
07-内缸 Inner Cylinder	4.50	GD50-07
08-活塞 Piston	15.50	GD50-08
09-外缸 Outer Cylinder	30.00	GD50-09
10-O形圈 O-ring	0.01	GD50-10
11-卡环 Snap Ring	0.30	GD50-11
12-卡钎套 Chuck Sleeve	6.40	GD50-12
钻头尾柄 Drill shank	260 八花键 8 Splines	
GD50		

技术参数 (Technical Parameters)					
总长(不含钻头) Total length (without drill bit)	总重(不含钻头) Total weight (without drill bit)	冲击器外径 Outer diameter	可配钻头钎柄 Bit shank	钻孔范围 Hole range	后接头螺纹 Connection thread
1214mm	76.5Kg	φ125mm	GD50	φ135-φ155	API 2 3/8"Reg API 3 1/2"Reg
可工作风压 Working pressure	在1.7Mpa 时冲击频率 Impact rate at 1.7Mpa	推荐转速 Recommended rotation speed		耗风量 Air consumption	
1.0-2.5Mpa	25HZ	25-50r/min		1.0Mpa 7.2m ³ /min	1.7Mpa 14m ³ /min 2.4Mpa 19m ³ /min

无尾管高压潜孔冲击器

High Air-pressure DTH Hammer without Foot valve

金鹭GD60系列潜孔冲击器
XTC GD60 series DTH Hammer



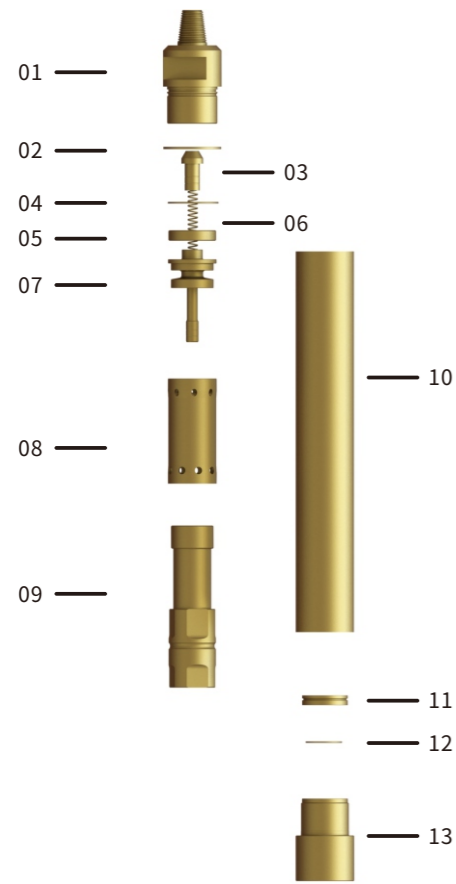
部件 Component	单重 (kg)	件号 Part No.
01-上接头 Top Sub	20.00	GD60-01
02-逆止阀 Check Valve	1.00	GD60-02
03-O形圈 O-ring	0.02	GD60-03
04-弹簧 Spring	0.04	GD60-04
05-垫圈 Washer	0.08	GD60-05
06-配气座 Valve Lever	5.00	GD60-06
07-内缸 Inner Cylinder	5.00	GD60-07
08-活塞 Piston	23.60	GD60-08
09-外缸 Outer Cylinder	36.80	GD60-09
10-导向套 Guide Sleeve	2.40	GD60-10
11-O形圈 O-ring	0.02	GD60-11
12-卡环 Snap Ring	0.60	GD60-12
13-卡钎套 Chuck Sleeve	6.00	GD60-13
钻头尾柄 Drill shank	308 八花键 8 Splines	
GD60		

技术参数 (Technical Parameters)					
总长(不含钻头) Total length (without drill bit)	总重(不含钻头) Total weight (without drill bit)	冲击器外径 Outer diameter	可配钻头钎柄 Bit shank	钻孔范围 Hole range	后接头螺纹 Connection thread
1248mm	100Kg	φ142mm	GD60	φ155-φ190	API 3 1/2"Reg
可工作风压 Working pressure	在1.7Mpa 时冲击频率 Impact rate at 1.7Mpa	推荐转速 Recommended rotation speed		耗风量 Air consumption	
1.0-2.5Mpa	23HZ	20-40r/min		1.0Mpa 9m ³ /min	1.8Mpa 20m ³ /min 2.4Mpa 26m ³ /min

无尾管高压潜孔冲击器

High Air-pressure DTH Hammer without Foot valve

金鹭GD80系列潜孔冲击器
XTC GD80 series DTH Hammer



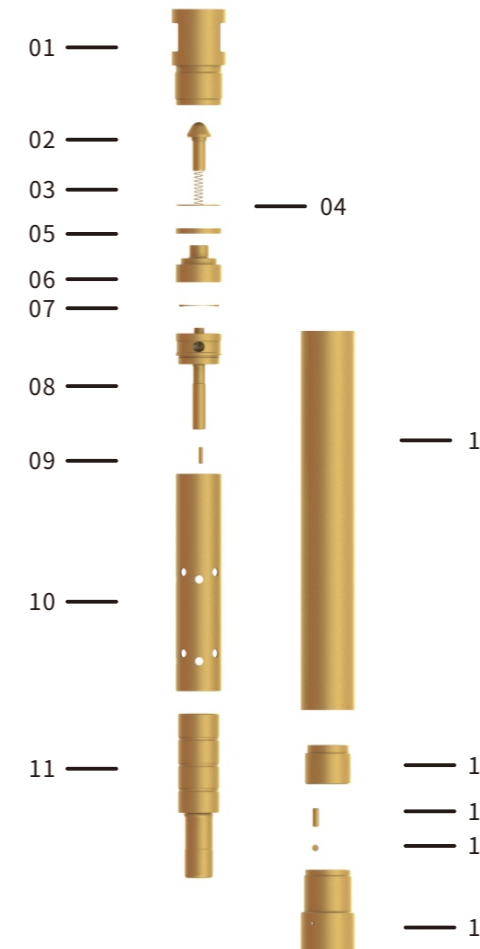
部件 Component	单重 (kg)	件号 Part No.
01-上接头 Top Sub	41.00	GD80-01
02-接头垫片 Joint Gasket	0.20	GD80-02
03-逆止阀 Check Valve	1.50	GD80-03
04-O形圈 O-ring	0.20	GD80-04
05-垫圈 Washer	0.42	GD80-05
06-弹簧 Spring	0.10	GD80-06
07-配气座 Valve Lever	0.13	GD80-07
08-内缸 Inner Cylinder	8.60	GD80-08
09-活塞 Piston	41.00	GD80-09
10-外缸 Outer Cylinder	62.00	GD80-10
11-卡环 Snap Ring	1.20	GD80-11
12-O形圈 O-ring	0.02	GD80-12
13-卡钎套 Chuck Sleeve	17.5	GD80-13
钻头尾柄 Drill shank		
GD80		十花键 10 Splines

技术参数 (Technical Parameters)					
总长(不含钻头) Total length (without drill bit)	总重(不含钻头) Total weight (without drill bit)	冲击器外径 Outer diameter	可配钻头钎柄 Bit shank	钻孔范围 Hole range	后接头螺纹 Connection thread
1492mm	188Kg	φ180mm	GD80	φ195-φ254	API 4 1/2" Reg
可工作风压 Working pressure	在1.7Mpa 时冲击频率 Impact rate at 1.7Mpa	推荐转速 Recommended rotation speed		耗风量 Air consumption	
1.0-2.5Mpa	20HZ	15-35r/min		1.0Mpa 13m ³ /min	1.8Mpa 24m ³ /min 2.4Mpa 29m ³ /min

无尾管中气压潜孔冲击器

Mid Air-pressure DTH Hammer without Foot valve

金鹭CIR90系列潜孔冲击器
XTC CIR90 series DTH Hammer



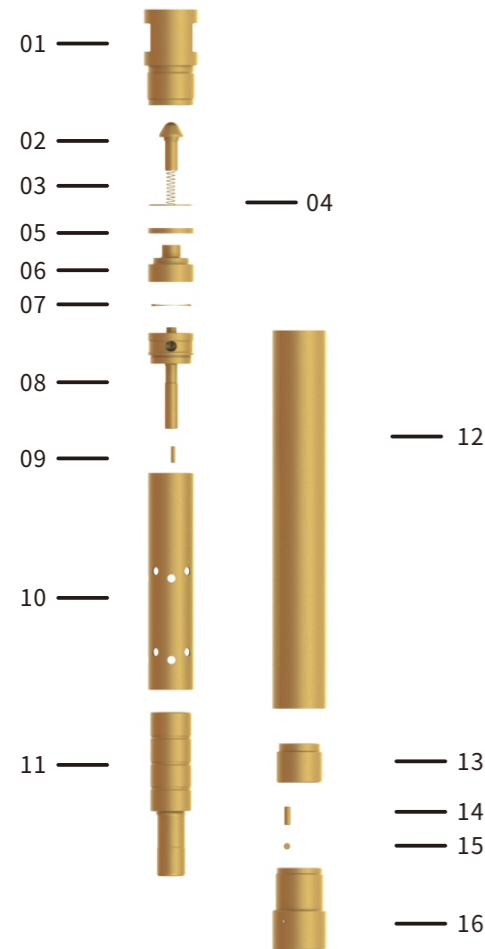
部件 Component	单重 (kg)	件号 Part No.
01-上接头 Top Sub	2.80	CIR90-01
02-逆止阀 Check Valve	0.02	CIR90-02
03-弹簧 Spring	0.01	CIR90-03
04-调整垫圈 Adjusting Washer	0.01	CIR90-04
05-垫圈 Washer	0.01	CIR90-05
06-阀盖 Bonnet	0.60	CIR90-06
07-阀片 Valve Plate	0.01	CIR90-07
08-配气座 Air Distribution	0.60	CIR90-08
09-圆柱销 Cylindrical Pin	0.01	CIR90-09
10-内缸 Inner Cylinder	2.00	CIR90-10
11-活塞 Piston	4.00	CIR90-11
12-外缸 Outer Cylinder	5.80	CIR90-12
13-导向套 Guide Sleeve	1.20	CIR90-13
14-直销 Direct Pins	0.01	CIR90-14
15-横销 Horizontal Pins	0.02	CIR90-15
16-卡钎套 Chuck Sleeve	1.60	CIR90-16
钻头尾柄 Drill shank		
CIR90		六花键 6 Splines

技术参数 (Technical Parameters)					
总长(不含钻头) Total length (without drill bit)	总重(不含钻头) Total weight (without drill bit)	冲击器外径 Outer diameter	可配钻头钎柄 Bit shank	钻孔范围 Hole range	后接头螺纹 Connection thread
800mm	19Kg	φ180mm	CIR90	φ 85-φ110	T48×10×2
可工作风压 Working pressure	在1.7Mpa 时冲击频率 Impact rate at 1.7Mpa	推荐转速 Recommended rotation speed		耗风量 Air consumption	
0.6-0.7Mpa	\	25-40r/min		0.6Mpa 7.2m ³ /min	1.2Mpa 12m ³ /min

无尾管中气压潜孔冲击器

Mid Air-pressure DTH Hammer without Foot valve

金鹭CIR110系列潜孔冲击器
XTC CIR110 series DTH Hammer



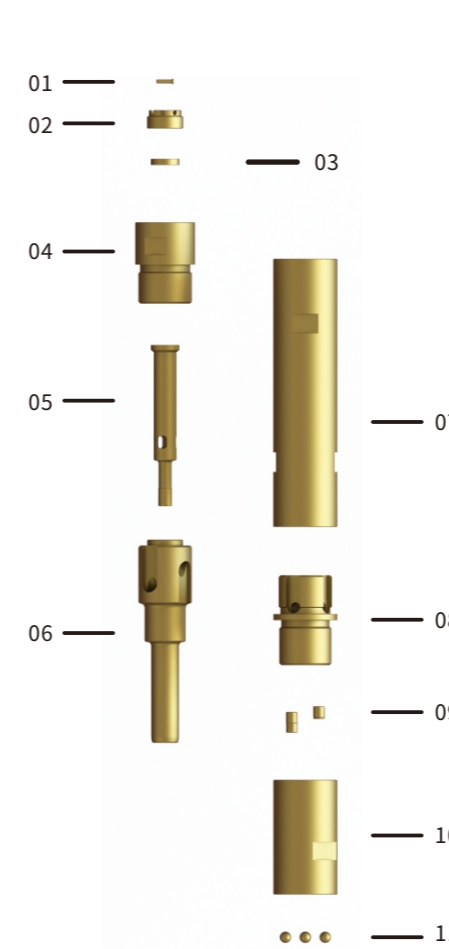
部件 Component	单重 (kg)	件号 Part No.
01-上接头 Top Sub	5.00	CIR110-01
02-逆止阀 Check Valve	0.02	CIR110-02
03-弹簧 Spring	0.02	CIR110-03
04-调整垫圈 Adjusting Washer	0.01	CIR110-04
05-垫圈 Washer	0.015	CIR110-05
06-阀盖 Bonnet	0.80	CIR110-06
07-圆柱销 Valve Plate	0.01	CIR110-07
08-配气座 Air Distribution	0.015	CIR110-08
09-阀座 Cylindrical Pin	1.00	CIR110-09
10-内缸 Inner Cylinder	2.80	CIR110-10
11-活塞 Piston	7.00	CIR110-11
12-外缸 Outer Cylinder	8.80	CIR110-12
13-导向套 Guide Sleeve	1.40	CIR110-13
14-直销 Direct Pins	0.03	CIR110-14
15-横销 Horizontal Pins	0.04	CIR110-15
16-卡钎套 Chuck Sleeve	3.80	CIR110-16
钻头尾柄 Drill shank		
CIR110		六花键 6 Splines

技术参数 (Technical Parameters)					
总长(不含钻头) Total length (without drill bit)	总重(不含钻头) Total weight (without drill bit)	冲击器外径 Outer diameter	可配钻头钎柄 Bit shank	钻孔范围 Hole range	后接头螺纹 Connection thread
839mm	32Kg	φ98mm	CIR110	φ110-φ135	API 2 3/8" Reg
可工作风压 Working pressure	在1.7Mpa 时冲击频率 Impact rate at 1.7Mpa	推荐转速 Recommended rotation speed		耗风量 Air consumption	
0.6-1.7Mpa	\	25-40r/min		0.6Mpa	1.2Mpa
				7.2m ³ /min	12m ³ /min

无尾管中气压潜孔冲击器

Mid Air-pressure DTH Hammer without Foot valve

金鹭P110系列潜孔冲击器
XTC P110 series DTH Hammer



部件 Component	单重 (kg)	件号 Part No.
01-挡销 Stop Pin	0.10	P110-01
02-堵头 Plug	0.50	P110-02
03-调整垫圈 Adjusting washer	0.20	P110-03
04-后接头 Rear connector	3.00	P110-04
05-配气座 Air Distribution	1.50	P110-05
06-活塞 Piston	3.50	P110-06
07-外缸 Outer cylinder	6.80	P110-07
08-导向连接套 Guide connection sleeve	2.00	P110-08
09-圆柱销 Cylindrical Pin	0.30	P110-09
10-前接头 Front Connector	4.50	P110-10
11-钢珠 Steel Ball	0.50	P110-11
钻头尾柄 Drill shank		
P110		八花键 8 Splines

技术参数 (Technical Parameters)					
总长(不含钻头) Total length (without drill bit)	总重(不含钻头) Total weight (without drill bit)	冲击器外径 Outer diameter	可配钻头钎柄 Bit shank	钻孔范围 Hole range	后接头螺纹 Connection thread
667mm	24Kg	φ98mm	P110	φ110-φ135	72X10
可工作风压 Working pressure	在1.7Mpa 时冲击频率 Impact rate at 1.7Mpa	推荐转速 Recommended rotation speed		耗风量 Air consumption	
0.5-1.2Mpa	\	25-40r/min		0.5Mpa	0.7Mpa
				7m ³ /min	9m ³ /min

潜孔钻头

DTH Bits

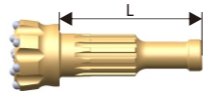
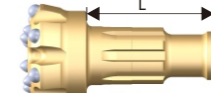
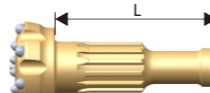
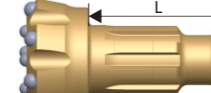
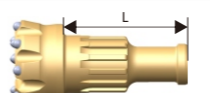
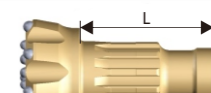
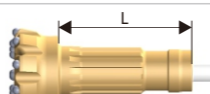
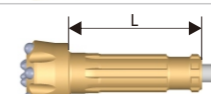
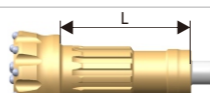
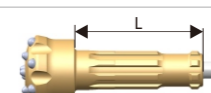
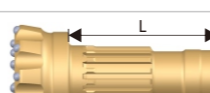



潜孔钻头编码规则

Code Rule for DTH Bits

PH	字段—潜孔钻头; code—DTH Bits;
H	字段—H:高压, M:中压, L:低压; code—H:High air-pressure DTH bits, M: Mid air-pressure DTH bits, L: Low air-pressure DTH bit;
Q	字段—合金齿形状, Q:球齿, D:弹齿, Z:锥齿, H:边球齿中锥齿, I:边球齿中弹齿, K:边球齿中锥齿; code—Carbide button shape, Q: Spherical Button whole, D: Ballistic Button, Z: Ogive Button whole, H: Gauge Spherical Front Ogive, I: Gauge Spherical Front Ballistic, K: Gauge Ballistic Front Ogive;
152	字段—钎头最大直径, 单位: mm, 例如: 152; code—Maximum-diameter-of-bit, Unit: mm, example: 152;
T	字段—产品类型, T:通用, K:扩孔, F:反循环; code—Bit-body-type, T: Regular type, K: Reaming type, F: Return type;
P	字段—端面类型, P:平面; A:凹面; T:凸面; code—Bit head shape, P: Flat face, A: Concave face, T: Convex face;
01	字段—附加号, 默认01, 其他02、03等区分裤体长度、工艺等信息; code—Appendix code, default 01, for length and technologies distinction;
1012	字段—合金齿数量, 例: 1012, 10:边齿10个, 12:中齿12个; code—Button quantity, example: 1012, 10: gauge buttons, 12: front buttons;
8308	字段—钎头连接信息, 83:花键直径, 08:花键个数。 code—DTH information: example: 8308, 83: Spline diameter, 08: Number of splines.
B	字段—裤体材质。 code—Matrix body material.

潜孔钻尾柄

DTH Bit Shank


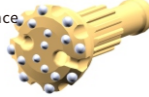
GM40 M40		L=228mm 12 Splines	GK40B		L=142mm 8 Splines
GM50 M50		L=259mm 12 Splines	GK50B		L=170mm 8 Splines
GM60 M60		L=230mm 12 Splines	GK60B		L=200mm 10 Splines
GQL50 QL50 TD50 COP54G		L=240mm 12 Splines	GD30W DHD3.5 COP35 TD35.2 QLX35		L=180mm 8 Splines
GQL60 QL60 TD60/65/70 COP64G		L=254mm 12 Splines	GD40W DHD340 COP44 DHD4 QL340		L=209mm 8 Splines
GQL80 QL80 TD80/85		L=330mm 16 Splines	GD50W DHD350R COP54 DHD5 Terroanox5		L=260mm 8 Splines
---	---	---	GD60W DHD360 COP64 DHD6 Terroanox6		L=308mm 8 Splines
---	---	---	GD80W DHD380 DHD8 Terroanox8		L=350mm 10 Splines

潜孔钻头 DTH Bits

GM40系列高压潜孔钻头 GM40 series High Air-pressure DTH bits

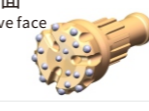
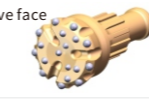


产品 Product	直径 Diameter (mm)	物料编码 Part No.	合金齿 Button			气孔 Hole	重量 Weight (kg)
			边齿 Gauge	中齿 Middle	芯齿 Core		
凹面 concave face 	115	PHHQ115TA04 0807-6712B	8× ϕ 14 球齿 Spherical button	4× ϕ 13 球齿 Spherical button	3× ϕ 13 球齿 Spherical button	2	7.9
	127	PHHQ127TA01 0807-6712B	8× ϕ 14 球齿 Spherical button	4× ϕ 13 球齿 Spherical button	3× ϕ 13 球齿 Spherical button	2	8.2

GM50系列高压潜孔钻头 GM50 series High Air-pressure DTH bits

产品 Product	直径 Diameter (mm)	物料编码 Part No.	合金齿 Button			气孔 Hole	重量 Weight (kg)
			边齿 Gauge	中齿 Middle	芯齿 Core		
凹面 concave face 	140	PHHH140TA03 0707-8112B	7× ϕ 18 球齿 Spherical button	4× ϕ 14 锥齿 Ogive button	3× ϕ 14 锥齿 Ogive button	2	14.1
凸面 convex face 	148	PHHI148TT01 0808-8112B	8× ϕ 18 球齿 Spherical button	4× ϕ 16 弹齿 Ballistic button	4× ϕ 14 弹齿 Ballistic button	2	8.2
凸面 convex face 	152	PHHI152TT01 0808-8112B	8× ϕ 18 球齿 Spherical button	4× ϕ 16 弹齿 Ballistic button	4× ϕ 15 弹齿 Ballistic button	2	16.4

潜孔钻头 DTH Bits

GM60系列高压潜孔钻头 GM60 series High Air-pressure DTH bits

产品 Product	直径 Diameter (mm)	物料编码 Part No.	合金齿 Button			气孔 Hole	重量 Weight (kg)
			边齿 Gauge	中齿 Middle	芯齿 Core		
凹面 concave face 	165	PHHI165TA010 909-10412B	9× ϕ 18 球齿 Spherical button	6× ϕ 16 弹齿 Ballistic button	3× ϕ 14 弹齿 Ballistic button	3	20.2
凹面 concave face 	178	PHHI178TA010 810-10412D	8× ϕ 18 球齿 Spherical button	6× ϕ 16 弹齿 Ballistic button	4× ϕ 16 弹齿 Ballistic button	2	21.3
凹面 concave face 	190	PHHQ190TA011 013-10412D	10× ϕ 18 球齿 Spherical button	8× ϕ 16 球齿 Spherical button	5× ϕ 16 球齿 Spherical button	2	25.2
凹面 concave face 	203	PHHQ203TA011 014-10412D	10× ϕ 18 球齿 Spherical button	8× ϕ 16 球齿 Spherical button	6× ϕ 16 球齿 Spherical button	2	27.1

GK40B系列高压潜孔钻头 GK40B series High Air-pressure DTH bits

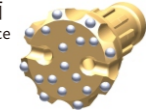
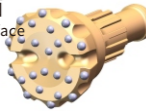
产品 Product	直径 Diameter (mm)	物料编码 Part No.	合金齿 Button			气孔 Hole	重量 Weight (kg)
			边齿 Gauge	中齿 Middle	芯齿 Core		
凸面 convex face 	115	PHHI115TT01 0707-6508B	7× ϕ 16 球齿 Spherical button	4× ϕ 14 弹齿 Ballistic button	3× ϕ 14 弹齿 Ballistic button	2	5.9
凸面 convex face 	115	PHHI115TT02 0706-6508B	7× ϕ 16 球齿 Spherical button	4× ϕ 14 弹齿 Ballistic button	2× ϕ 14 弹齿 Ballistic button	2	5.9

潜孔钻头 DTH Bits

GK50B系列高风压潜孔钻头 GK50B series High Air-pressure DTH bits



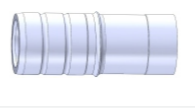
产品 Product	直径 Diameter (mm)	物料编码 Part No.	合金齿 Button			气孔 Hole	重量 Weight (kg)
			边齿 Gauge	中齿 Middle	芯齿 Core		
凸面 convex face 	140	PHHH140TT01 0707-8408B	7 × ø 18 球齿 Spherical button	4 × ø 15 锥齿 Ogive button	3 × ø 14 锥齿 Ogive button	2	11.1
凸面 convex face 	152	PHHI152TT01 0807-8408B	8 × ø 18 球齿 Spherical button	4 × ø 16 弹齿 Ballistic button	3 × ø 16 弹齿 Ballistic button	2	11.7
凸面 convex face 	152	PHHH152TT03 0808-8408B	8 × ø 18 球齿 Spherical button	4 × ø 15 锥齿 Ogive button	4 × ø 14 锥齿 Ogive button	2	11.7

GK60B系列高风压潜孔钻头 GK60B series High Air-pressure DTH bits

产品 Product	直径 Diameter (mm)	物料编码 Part No.	合金齿 Button			气孔 Hole	重量 Weight (kg)
			边齿 Gauge	中齿 Middle	芯齿 Core		
平面 flat face 	178	PHHQ178TP01 0811-10110D	8 × ø 18 球齿 Spherical button	11 × ø 16 球齿 Spherical button	/	2	19.3
凸面 convex face 	203	PHHQ203TA01 1014-10110D	10 × ø 18 球齿 Spherical button	8 × ø 16 球齿 Spherical button	6 × ø 16 球齿 Spherical button	2	26.8

潜孔钻头 DTH Bits

GQL50系列高风压潜孔钻头 GQL50 series High Air-pressure DTH bits

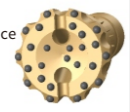

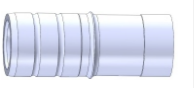
产品 Product	直径 Diameter (mm)	物料编码 Part No.	合金齿 Button			气孔 Hole	重量 Weight (kg)
			边齿 Gauge	中齿 Middle	芯齿 Core		
平面 flat face 	140	PHHQ140TP01 0810-8512B	8 × ø 16 球齿 Spherical button	10 × ø 14 球齿 Spherical button	/	2	15.3
平面 flat face 	152	PHHQ152TP01 0909-8512B	9 × ø 18 球齿 Spherical button	9 × ø 18 球齿 Spherical button	/	3	15.2
	/	/	/	/	/	/	/

GQL60系列高风压潜孔钻头 GQL60 series High Air-pressure DTH bits

产品 Product	直径 Diameter (mm)	物料编码 Part No.	合金齿 Button			气孔 Hole	重量 Weight (kg)
			边齿 Gauge	中齿 Middle	芯齿 Core		
平面 flat face 	165	PHHQ165TP02 0809-10312B	8 × ø 19 球齿 Spherical button	9 × ø 16 球齿 Spherical button	/	3	22.6
平面 flat face 	172	PHHQ172TP04 1010-10312B	10 × ø 18 球齿 Spherical button	10 × ø 16 球齿 Spherical button	/	2	22.8
平面 flat face 	178	PHHQ178TP01 0810-10312B	10 × ø 18 球齿 Spherical button	10 × ø 16 球齿 Spherical button	/	2	23.5
平面 flat face 	203	PHHQ203TP01 1014-10312D	10 × ø 18 球齿 Spherical button	14 × ø 16 球齿 Spherical button	/	2	29.8
	/	/	/	/	/	/	/






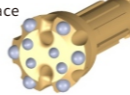
潜孔钻头 DTH Bits

GQL80系列高风压潜孔钻头 GQL80 series High Air-pressure DTH bits

产品 Product	直径 Diameter (mm)	物料编码 Part No.	合金齿 Button			气孔 Hole	重量 Weight (kg)
			边齿 Gauge	中齿 Middle	芯齿 Core		
凹面 concave face 	203	PHHQ203TP01 1014-13116D	10 × ø 18 球齿 Spherical button	14 × ø 16 球齿 Spherical button	/	2	35.2
凹面 concave face 	230	PHHQ230TA01 1216-13116D	12 × ø 18 球齿 Spherical button	10 × ø 16 球齿 Spherical button	6 × ø 16 球齿 Spherical button	2	52.5
	/	/	/	/	/	/	/

潜孔钻头 DTH Bits





GD30系列高风压潜孔钻头 GD30 series High Air-pressure DTH bits

产品 Product	直径 Diameter (mm)	物料编码 Part No.	合金齿 Button			气孔 Hole	重量 Weight (kg)
			边齿 Gauge	中齿 Middle	芯齿 Core		
凸面 convex face 	90	PHHD090TT0106 07-5308B	6 × ø 12 弹齿 Spherical button	4 × ø 10 弹齿 Spherical button	3 × ø 10 弹齿 Spherical button	2	3.9
凸面 convex face 	100	PHHH100TT0206 05-5308B	6 × ø 16 球齿 Spherical button	3 × ø 14 锥齿 Ogive button	2 × ø 12 锥齿 Ogive button	2	4.1
凸面 convex face 	110	PHHD110TT0106 05-5308B	6 × ø 15 弹齿 Ballistic button	3 × ø 14 弹齿 Ballistic button	2 × ø 14 弹齿 Ballistic button	2	4.6
凸面 convex face 	110	PHHD110TT0108 07-5308B	8 × ø 13 弹齿 Ballistic button	4 × ø 12 弹齿 Ballistic button	3 × ø 12 弹齿 Ballistic button	2	4.8
平面 flat face 	90	PHHI090TP0306 04-5308B	6 × ø 16 球齿 Spherical button	2 × ø 13+ 2 × ø 12 弹齿 Ballistic button	/	2	4.0
平面 flat face 	90	PHHI090TP0406 04-5308B	6 × ø 16 球齿 Spherical button	4 × ø 12 弹齿 Ballistic button	/	2	4.0

注：该系列钻头可选带尾管的同规格产品以匹配带尾管冲击器。
Note: This series of drills bit with valve are available to match the Hammer with Vlave.

潜孔钻头 DTH Bits



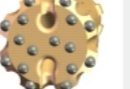

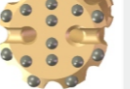

GD40系列高压潜孔钻头 GD40 series High Air-pressure DTH bits

产品 Product	直径 Diameter (mm)	物料编码 Part No.	合金齿 Button			气孔 Hole	重量 Weight (kg)
			边齿 Gauge	中齿 Middle	芯齿 Core		
凸面 convex face 	115	PHHH115TT04 0706-6408B	7× ϕ 16 球齿 Spherical button	4× ϕ 14 锥齿 Ogive button	2× ϕ 14 锥齿 Ogive button	3	7.8
凹面 concave face 	127	PHHQ127TA01 0807-6408B	8× ϕ 14.5 球齿 Spherical button	4× ϕ 14 球齿 Spherical button	3× ϕ 13 球齿 Spherical button	2	8.4
平面 flat face 	110	PHHQ110TP04 0706-6408B	7× ϕ 14 球齿 Spherical button	6× ϕ 14 球齿 Spherical button	/	2	7.8
平面 flat face 	115	PHHI115TP01 0706-6408B	7× ϕ 16 球齿 Spherical button	6× ϕ 14 弹齿 Ballistic button	/	2	8.2

注: 该系列钻头可选带尾管的同规格产品以匹配带尾管冲击器。
Note: This series of drills bit with valve are available to match the Hammer with Vlave.

潜孔钻头 DTH Bits


GD50系列高压潜孔钻头 GD50 series High Air-pressure DTH bits

产品 Product	直径 Diameter (mm)	物料编码 Part No.	合金齿 Button			气孔 Hole	重量 Weight (kg)
			边齿 Gauge	中齿 Middle	芯齿 Core		
凸面 convex face 	140	PHHH140TT01 0707-8308B	7× ϕ 18 球齿 Spherical button	4× ϕ 15 锥齿 Ogive button	3× ϕ 14 锥齿 Ogive button	2	15.2
凸面 convex face 	152	PHHI152TT01 0808-8308B	8× ϕ 18 球齿 Spherical button	4× ϕ 16 弹齿 Ballistic button	4× ϕ 15 弹齿 Ballistic button	2	16.6
平面 flat face 	140	PHHI140TP03 0707-8308B	7× ϕ 18 球齿 Spherical button	6× ϕ 16 弹齿 Ballistic button	/	2	15.5
平面 flat face 	140	PHHI140TP02 0808-8308B	8× ϕ 16 球齿 Spherical button	4× ϕ 15 弹齿 Ballistic button	4× ϕ 14 弹齿 Ballistic button	2	15.3
平面 flat face 	152	PHHI152TP04 0808-8308B	8× ϕ 18 球齿 Spherical button	8× ϕ 16 弹齿 Ballistic button	/	2	16.9
凹面 concave face 	165	PHHQ165TA01 0808-8308B	8× ϕ 18 球齿 Spherical button	4× ϕ 16 球齿 Spherical button	4× ϕ 16 球齿 Spherical button	2	18.5
凹面 concave face 	178	PHHQ178TA010 811-8308B	8× ϕ 18 球齿 Spherical button	6× ϕ 16 球齿 Spherical button	5× ϕ 15 球齿 Spherical button	2	20.2

注: 该系列钻头可选带尾管的同规格产品以匹配带尾管冲击器。
Note: This series of drills bit with valve are available to match the Hammer with Vlave.

潜孔钻头 DTH Bits


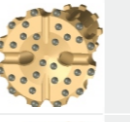
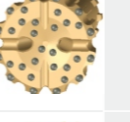

GD60系列高压潜孔钻头 GD60 series High Air-pressure DTH bits

产品 Product	直径 Diameter (mm)	物料编码 Part No.	合金齿 Button			气孔 Hole	重量 Weight (kg)
			边齿 Gauge	中齿 Middle	芯齿 Core		
凸面 convex face 	165	PHHQ165TT030 909-9908B	9 × ϕ 18 球齿 Spherical button	5 × ϕ 16 球齿 Spherical button	4 × ϕ 16 球齿 Spherical button	3	24
平面 flat face 	165	PHHQ165TP030 808-9908B	8 × ϕ 18 球齿 Spherical button	8 × ϕ 16 球齿 Spherical button	/	2	24
平面 flat face 	178	PHHQ178TP030 810-9908B	8 × ϕ 18 球齿 Spherical button	10 × ϕ 16 球齿 Spherical button	/	2	26.2
凹面 concave face 	165	PHHQ165TA030 808-9908B	8 × ϕ 18 球齿 Spherical button	8 × ϕ 16 球齿 Spherical button	/	2	24
凹面 concave face 	178	PHHQ178TA030 810-9908B	8 × ϕ 18 球齿 Spherical button	6 × ϕ 16 球齿 Spherical button	4 × ϕ 16 球齿 Spherical button	2	26.2
凹面 concave face 	190	PHHQ190TA010 911-9908D	9 × ϕ 18 球齿 Spherical button	6 × ϕ 16 球齿 Spherical button	5 × ϕ 15 球齿 Spherical button	3	28.3
凹面 concave face 	203	PHHQ203TA011 014-9908D	10 × ϕ 18 球齿 Spherical button	8 × ϕ 16 球齿 Spherical button	6 × ϕ 16 球齿 Spherical button	2	30.9

注: 该系列钻头可选带尾管的同规格产品以匹配带尾管冲击器。
Note: This series of drills bit with valve are available to match the Hammer with Vlave.

潜孔钻头 DTH Bits




GD80系列高压潜孔钻头 GD80 series High Air-pressure DTH bits

产品 Product	直径 Diameter (mm)	物料编码 Part No.	合金齿 Button			气孔 Hole	重量 Weight (kg)
			边齿 Gauge	中齿 Middle	芯齿 Core		
凹面 concave face 	203	PHHQ203TA0310 14-12710C	10 × ϕ 18 球齿 Spherical button	8 × ϕ 16 球齿 Spherical button	6 × ϕ 16 球齿 Spherical button	2	40.5
凹面 concave face 	219	PHHQ219TA0110 14-12710D	10 × ϕ 18 球齿 Spherical button	8 × ϕ 16 球齿 Spherical button	6 × ϕ 16 球齿 Spherical button	2	46.8
凹面 concave face 	235	PHHQ235TA0312 19-12710D	12 × ϕ 18 球齿 Spherical button	12 × ϕ 16 球齿 Spherical button	7 × ϕ 16 球齿 Spherical button	2	52.3
凹面 concave face 	254	PHHQ254TA1012 24-12710D	12 × ϕ 18 球齿 Spherical button	12 × ϕ 16 球齿 Spherical button	12 × ϕ 16 球齿 Spherical button	2	58.6

注: 该系列钻头可选带尾管的同规格产品以匹配带尾管冲击器。
Note: This series of drills bit with valve are available to match the Hammer with Vlave.

潜孔钻头 DTH Bits

CIR90系列中风压潜孔钻头 CIR90 series Mid Air-pressure DTH bits

产品 Product	直径 Diameter (mm)	物料编码 Part No.	合金齿 Button			气孔 Hole	重量 Weight (kg)
			边齿 Gauge	中齿 Middle	芯齿 Core		
凸面 convex face 	90	PHMZ090TT040 604-5406K	6 × ø 14 锥齿 Ogive button	2 × ø 13 锥齿 Ogive button	2 × ø 12 锥齿 Ogive button	2	3.5
凸面 convex face 	100	PHMZ100TT040 605-5406K	6 × ø 14 锥齿 Ogive button	2 × ø 13 锥齿 Ogive button	3 × ø 12 锥齿 Ogive button	3	3.9
凸面 convex face 	110	PHMZ110TT040 606-5406K	6 × ø 14 锥齿 Ogive button	3 × ø 13 锥齿 Ogive button	3 × ø 12 锥齿 Ogive button	3	4.1

应用案例 Application





工程施工，首选金鹭，让您省心省钱！

XTC—your faithful partner that provides money-saving, worry-saving and time-saving services on construction projects!

质量 效率 效益
QUALITY EFFICIENCY BENEFIT